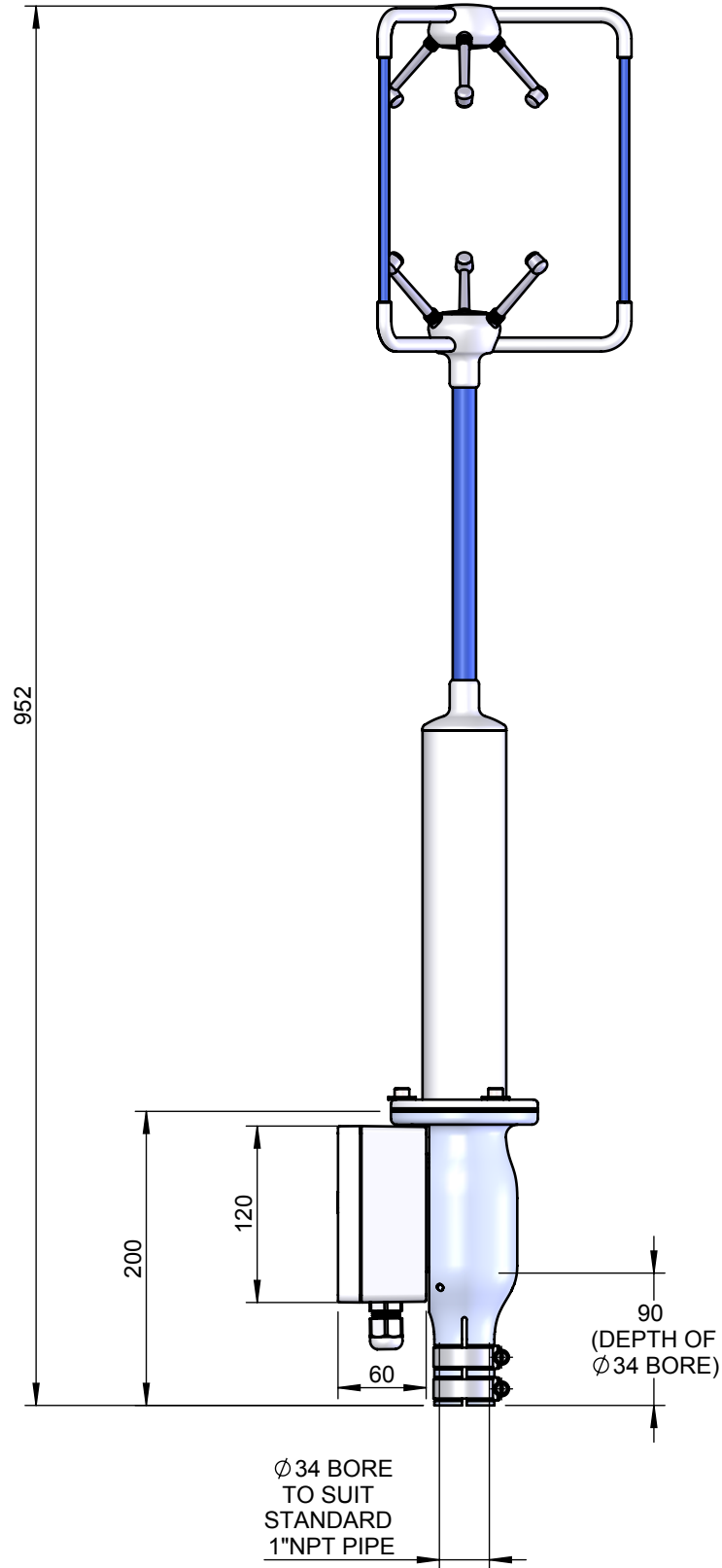


IP66 RATED PLASTIC ENCLOSURE

M20 CABLE GLAND

JUBILEE CLIP (2X)

65



952

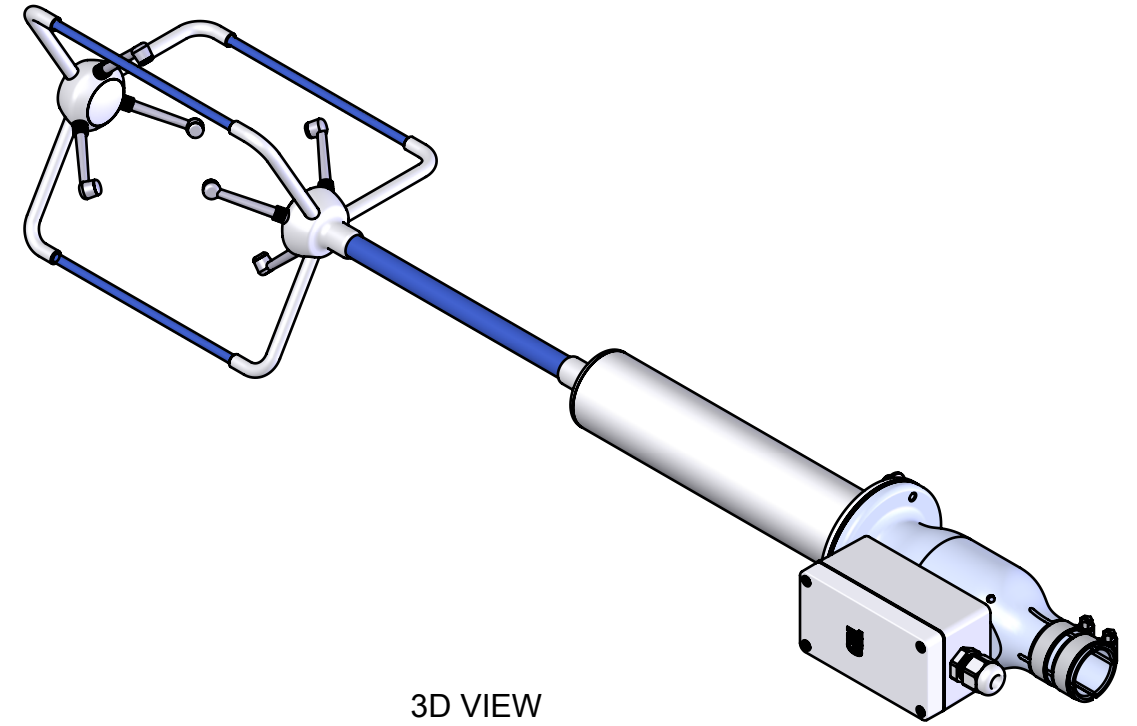
200

120

60

90
(DEPTH OF
Ø34 BORE)

Ø34 BORE
TO SUIT
STANDARD
1" NPT PIPE



3D VIEW

CONFIDENTIAL

GILL

GILL RESEARCH & DEVELOPMENT LIMITED
SALTMARSH PARK, 67 GOSPORT STREET
LYMINGTON, HAMPSHIRE, SO41 9EG
TEL: +44 (0) 1590 613400
E-MAIL: info@gillrd.com
WEBSITE: www.gillrd.com

© DESIGN COPYRIGHT RESERVED - THIS DOCUMENT INCLUDING THE COPYRIGHT THEREIN, IS THE EXCLUSIVE PROPERTY OF GILL RESEARCH AND DEVELOPMENT LIMITED, AND MAY NOT BE UTILISED FOR ANY PURPOSE OR DUPLICATED, COPIED, REPRODUCED OR TRANSMITTED TO ANY THIRD PARTY WITHOUT PERMISSION.

ISSUE	C/NOTE No.	DESCRIPTION	DRAWN	APPROVED	DATE
A	X	ORIGINAL	AJH	MRA	09.09.15

GENERAL TOLERANCES (UNLESS STATED)
0 DEC PLACE ±0.25mm
1 DEC PLACE ±0.10mm
2 DEC PLACE ±0.05mm
ANGLES ±0.5°

ALL PREVIOUS REVISIONS ARE TO BE ARCHIVED OR DESTROYED OR MARKED AS SUPERCEDED. NOTE DRAWING IS COMPUTER GENERATED. DO NOT SCALE OR CHANGE MANUALLY. REMOVE ALL BURRS AND SHARP EDGES. ALL DIMENSIONS ARE IN MILLIMETRES. SURFACE FINISH TO BE 1.6µmRa UNLESS OTHERWISE STATED. THIRD ANGLE PROJECTION.

MATERIAL
N/A

SCALE
1:5
UNLESS STATED

EXPORT CONTROL

FINISH N/A	TITLE WINDMASTER ANEMOMETER PIPE MOUNT PROPOSAL	DRAWING No. 1590-PK-050	SHEET 1 OF 1	SHEET SIZE A3
---------------	---	-----------------------------------	-----------------	------------------