

Ultrasonic Wind Sensor

Aluminium Construction, Optional Heating System

Key Features

- Compact Wind Speed & Direction Sensor
- Hard Anodised Aluminium Alloy Construction
- -40°C Operation (with optional heating)
- IP66 Protection Class
- Vibration BS EN 60945 : 2002
- Impact Resistance to UL2218 Class 1
- Solid-State – Maintenance-Free
- NMEA Output
- Analogue Output (Optional)

The Gill WindSonic M utilises Gill's proven ultrasonic technology that has an established performance over many years of operation in the popular WindSonic.

With an impact resistant, corrosion-free, hard anodised aluminium alloy housing and optional heating system this wind sensor is recommended for use in harsh environmental conditions and is particularly suited to both marine and land based installations. The WindSonic M has no moving parts, offering maintenance-free operation in a wide range of applications.



WIND SPEED

| | |
|---------------|------------------------|
| Range | 0 - 60 m/s (116 knots) |
| Accuracy | ±2% @12 m/s |
| Resolution | 0.01 m/s (0.02 knots) |
| Response Time | 0.25 seconds |
| Threshold | 0.01 m/s |

DIRECTION

| | |
|---------------|-------------------------|
| Range | 0 - 359° (No dead band) |
| Accuracy | ±3° @12 m/s |
| Resolution | 1° |
| Response Time | 0.25 seconds |

MEASUREMENT

| | |
|------------------------|---|
| Ultrasonic Output Rate | 0.25, 0.5, 1, 2 or 4 Hz |
| Parameters | Wind Speed & Direction or U and V (vectors) |
| Units of Measure | m/s, knots, mph, kph, ft/min |

OUTPUTS

| | |
|---------------------|-----------------------------------|
| Digital | RS232 + RS422 + RS485**** + NMEA* |
| Baud Rate | 2400 to 38400 |
| Analogue (optional) | 0-5v or 0-20mA or 4-20mA |

POWER REQUIREMENT

| | |
|--------------------|---|
| Anemometer | 5-30V DC (5.5mA @ 12V) |
| Optional heating** | 24V AC/DC (4.2A @ 24V) |
| | Start up time < 5 seconds |
| Analogue Outputs | Current consumption increases if analogue output is selected. Add up to 40mA to nominal power consumption above |

MECHANICAL

| | |
|-----------------------|-------------------|
| External Construction | Al. Alloy 6061 T6 |
| Finish | Hard Anodised |
| Size | 142mm x 163mm |
| Weight | 0.9kg |

ENVIRONMENTAL

| | |
|-----------------------|---|
| Protection Class | IP66 BS EN 60529 : 1992 |
| Operating Temperature | -40°C to +70°C (with heating) -35°C to +70°C (without heating) |
| Storage Temperature | -40°C to +80°C |
| Operating Humidity | < 5% to 100% RH |
| Precipitation | 300mm/hr |
| EMC | BS EN 61326 : 2006 & BS EN 60945 : 2002 |
| Impact Resistance | UL2218 Class 1 |
| Compass Safe Distance | BS EN 60945: 2002 Section 11.2 |
| Vibration | BS EN 60945 : 2002 |

OPERATIONAL

| | |
|---------------------|---------------------------------|
| Warranty | 2 years |
| Factory Calibration | Traceable to National Standards |

ACCESSORIES

| | |
|-------------------|-----------------------------------|
| Pipe Mounting | 44.45mm (1.75 in) diameter |
| Windview Software | Display/logging*** |
| Cables | Available to match output options |
| Display | See Gill display datasheet |

* NMEA 0183

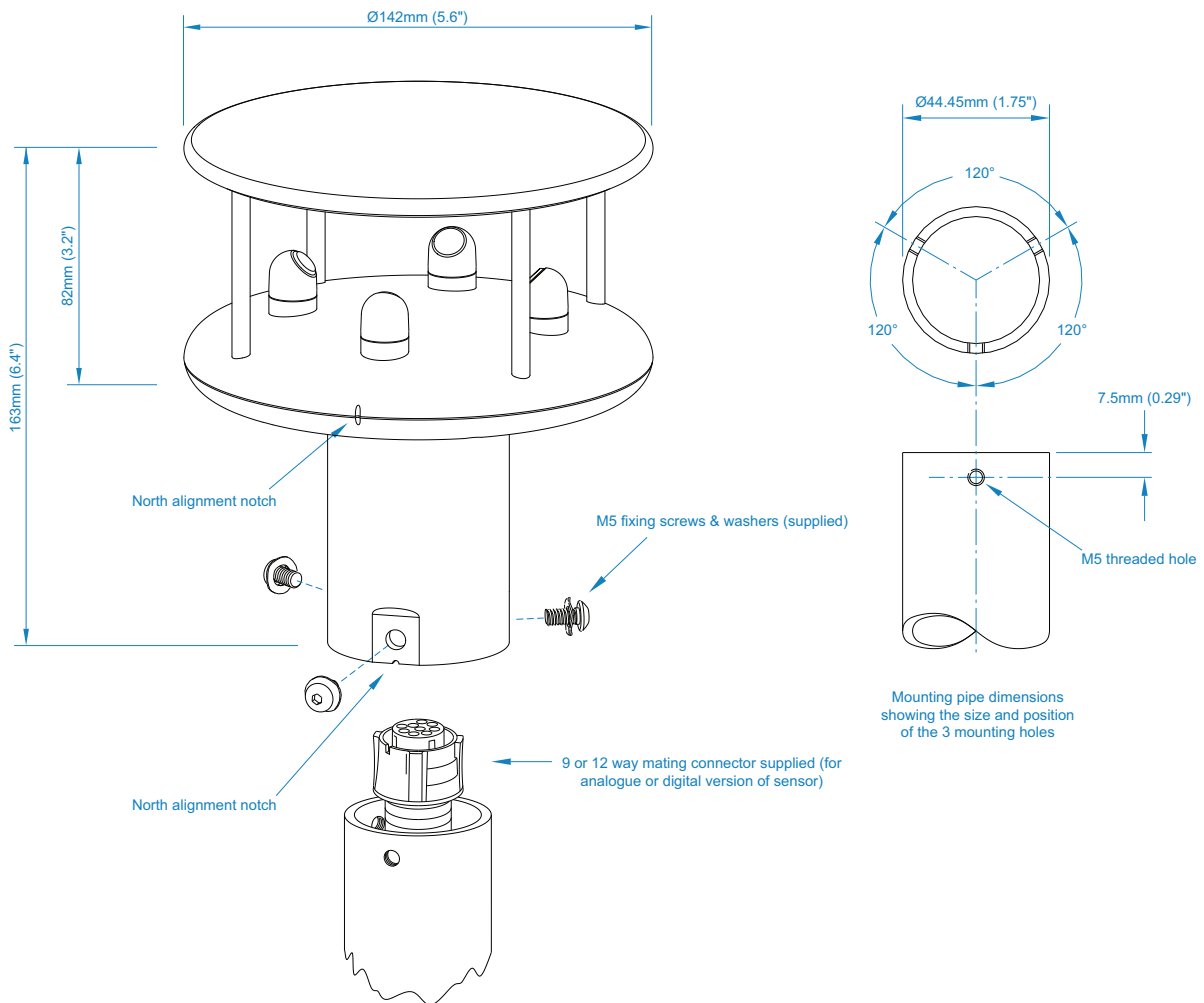
** Consult the technical manual for optimum heating supply voltage.

*** Download software free from www.gillinstruments.com

**** 2-wire is point to point only

Typical Applications

- Remote weather monitoring stations
- Building controls
- Data buoys
- Marine vessels
- Road & rail tunnels
- Environmental field sites
- Ports & harbours
- Mobile weather monitoring vehicles
- Remote airports & helipads
- Coastal weather monitoring stations



Specifications may be subject to change without prior notice.

GILL

Gill Instruments Limited

Saltmarsh Park, 67 Gosport Street
Lymington, Hampshire SO41 9EG
United Kingdom

Tel: +44 (0) 1590 613 500
Fax: +44 (0) 1590 613 501
contact@gillinstruments.com



www.gillinstruments.com

1405-0029 - Iss 9

Copyright © Gill Instruments 2017